

**PROPRIETARY NOTE**

THIS SPECIFICATION IS THE PROPERTY OF BOE HF AND SHALL NOT BE REPRODUCED OR COPIED WITHOUT THE WRITTEN PERMISSION OF BOE HF AND MUST BE RETURNED TO BOE HF UPON ITS REQUEST



SPEC. NUMBER S8-*	PRODUCT GROUP TFT- LCD	REV. P0	ISSUE DATE 2018-05	PAGE 1 OF 29
----------------------	---------------------------	------------	-----------------------	-----------------

## B3 EV101WXM-N80 Product Specification Rev.P0

BUYER	Mindray
SUPPLIER	HEFEI BOE Optoelectronics Technology CO., LTD
FG-Code	EV101WXM-N80-3850

ITEM	BUYER SIGNATURE	DATE
_____	_____	_____
_____	_____	_____
_____	_____	_____

ITEM	SUPPLIER SIGNATURE	DATE
Prepared	_____	_____
Reviewed	_____	_____
Approved	_____	_____

**HEFEI BOE OPTOELECTRONICS TECHNOLOGY**

<b>PRODUCT GROUP</b>	<b>REV</b>	<b>ISSUE DATE</b>	<b>BOE</b>
TFT- LCD PRODUCT	P0	2018-03-20	

<b>SPEC. NUMBER</b> S8-*	<b>SPEC . TITLE</b> B3 EV101WXM-N80 Product Specification	<b>PAGE</b> 2 OF 29
-----------------------------	--	------------------------

**REVISION HISTORY**

REV.	ECN No.	DESCRIPTION OF CHANGES	DATE	PREPARED
P0		Initial Release	2018-03-20	Leon Zhang
P1				

<b>PRODUCT GROUP</b>		REV	ISSUE DATE	<b>BOE</b>
TFT- LCD PRODUCT		P0	2018-03-03	
SPEC. NUMBER	SPEC. TITLE		PAGE	
S8-*	B3 EV101WXM-N80 Product Specification		3 OF 29	

## Contents

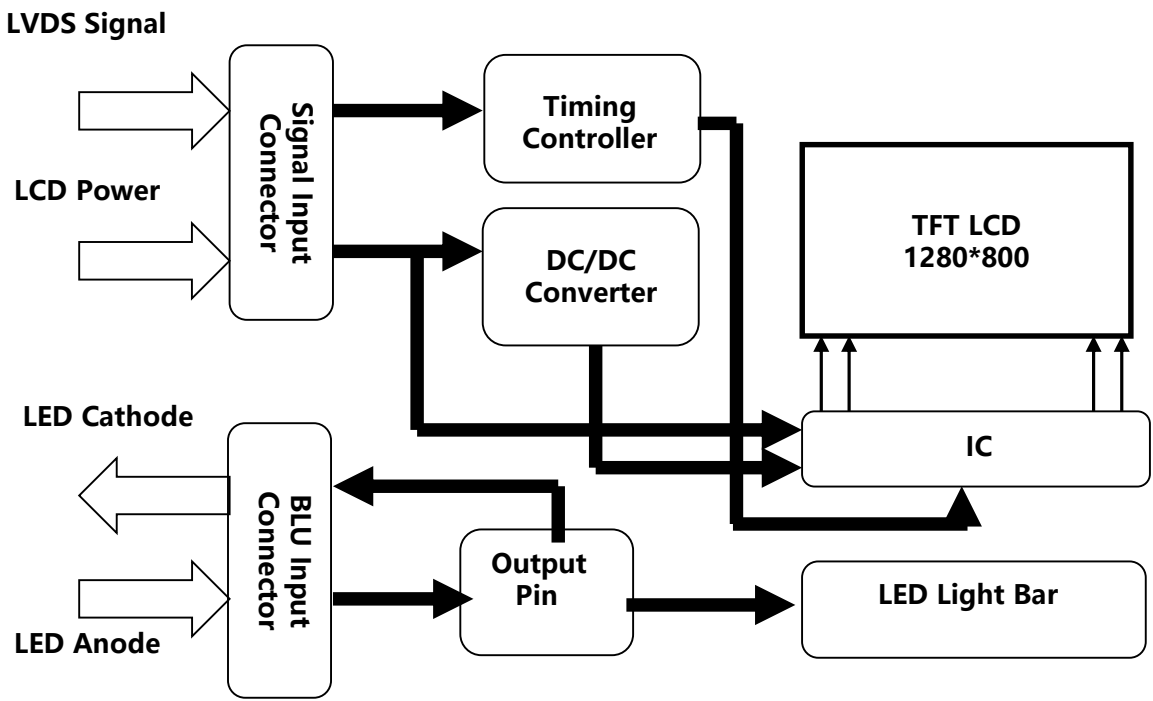
No.	Items	Page
1.0	General Description	*
2.0	Absolute Maximum Ratings	
3.0	Electrical Specifications	
4.0	Optical Specifications	
5.0	Reliability Test	
6.0	Packing Information	
7.0	Product Label	
8.0	Handling & Cautions	
9.0	Appendix	

PRODUCT GROUP		REV	ISSUE DATE	<b>BOE</b>
TFT- LCD PRODUCT		P0	2018-03-03	
SPEC. NUMBER	SPEC. TITLE			PAGE
S8-*	B3 EV101WXM-N80 Product Specification			4 OF 29

# 1.0 GENERAL DESCRIPTION

## 1.1 Introduction

EV101WXM-N80 is a color active matrix TFT LCD module using amorphous silicon TFT 's (Thin Film Transistors) as an active switching devices. This module has a 10.1 inch diagonally measured active area with WXGA resolutions (1280 horizontal by 800 vertical pixel array). Each pixel is divided into RED, GREEN, BLUE dots which are arranged in vertical stripe and this module can display 16.7M colors.



## 1.2 Features

- 1 Port LVDS Interface Input;
- 8-bit color depth, display 16.7M colors
- Thin and light weight
- High luminance and contrast ratio, low reflection and wide viewing angle
- RoHS compliant

**1.3 Application**

- Medical Monitor

**1.4 General Specification**

The followings are general specifications at the EV101WXM-N80-3850

**<Table 1. LCD Module Specifications>**

Parameter	Specification	Unit	Remarks
Active Area	216.96 (H) × 135.6(V)	mm	
Number Of Pixels	1280(H)×800(V)	pixels	
Pixel Pitch	56.5(H) × RGB × 169.5(V)	um	
Pixel Arrangement	Pixels RGB stripe arrangement		
Display Mode	Normally Black		
Display Colors	16.7M(8bits)	colors	
Surface Treatment	Normal		
Contrast Ratio	900:1(typ); 700:1(min)		
Viewing Angle(CR>10)	85/85/85/85(typ); 80/80/80/80(min)	deg.	
Response Time	30(typ); 40(max)	ms	
Color Gamut	48%(typ); 43%(min)		
Brightness	400 nit(typ); 340 nit(min)	cd/m2	
Brightness Uniformity	9 point: min 65% (Before RA) 9 point: min 60% (After RA)		
Power Consumption	LCD: 1.8(Max.); BLU: 3.6W(Typ.)	watt	
Outline Dimension	233.2(H)*152.9(V)*6.70(typ)(LCM)	mm	
Weight	505	gram	

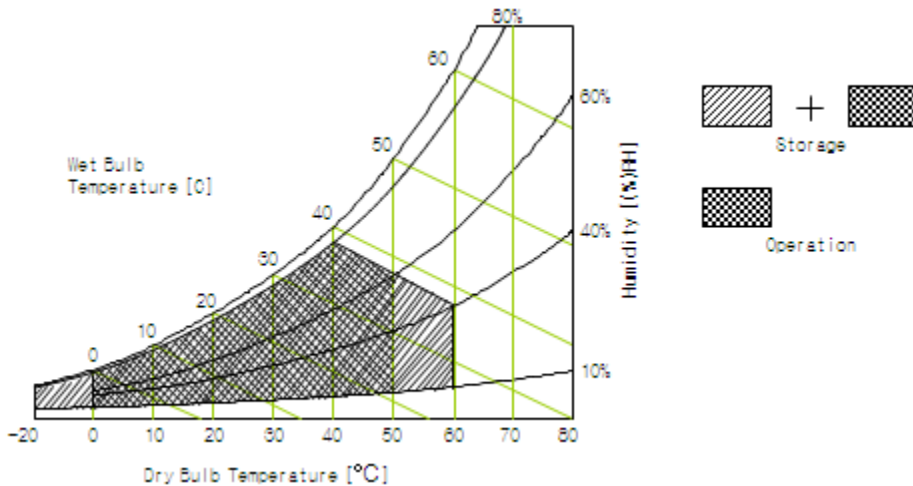
## 2.0 ABSOLUTE MAXIMUM RATINGS

The followings are maximum values which, if exceed, may cause faulty operation or damage to the unit. The operational and non-operational maximum voltage and current values are listed in Table 2.

< Table 2. Absolute Maximum Ratings >

Parameter		Symbol	Min.	Max.	Unit	Remarks
Power Supply	LCD Module	VDD	VSS-0.3	4.0	V	Ta = 25 °C
	BLU	VLED	VSS-0.3	27	V	
		PWM	VSS-0.3	27	V	
		BRTC	VSS-0.3	27	V	
Operating Temperature		T <sub>OP</sub>	-20	+70	°C	Note 1
Storage Temperature		T <sub>ST</sub>	-30	+80	°C	

Note : 1) Temperature and relative humidity range are shown in the figure below.  
Wet bulb temperature should be 39 °C max. and no condensation of water.



PRODUCT GROUP		REV	ISSUE DATE	<b>BOE</b>
TFT- LCD PRODUCT		P0	2018-03-03	
SPEC. NUMBER	SPEC. TITLE			PAGE
S8-*	B3 EV101WXM-N80 Product Specification			7 OF 29

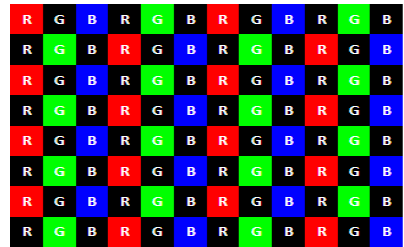
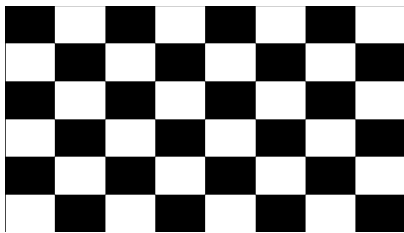
### 3.0 ELECTRICAL SPECIFICATIONS

#### 3.1 TFT LCD Module

< Table 3. LCD Module Electrical specifications > [Ta =25±2 °C]

Parameter	Symbol	Values			Unit	Notes
		Min.	Typ.	Max.		
Power Supply Voltage	VCC	3.0	3.3	3.6	V	Signal
Power Supply Current	I <sub>VCC</sub>	-	-	250	mA	Note 1
Power Consumption	P <sub>LCD</sub>	0.58	0.70	0.83	W	

Notes : 1. The supply voltage is measured and specified at the interface connector of LCM.  
 The current draw and power consumption specified is for VBAT=3.8V, Frame rate f<sub>v</sub>=60Hz and Clock frequency = 156.8MHz. Test Pattern of power supply current  
 a) Typ : Mosaic 8 x 6 Pattern(L0/L255)                      b) Max : skip 1H1V dot(L0/L255)



### 3.2 Back-Light Unit

**Table 5. LED Driver Electrical Specifications >**

[Ta =25±2 °C]

Parameter	Symbol	Values			Unit	Notes	
		Min.	Typ.	Max.			
LED Supply Voltage	VDD	11.5	12	12.5	V		
	VRP			500	mV	Ripple	
LED Forward Current	I <sub>VDD</sub>	-	20	-	mA		
Power Consumption	PLED	-	2.3	-	W	Note 1	
Rush current	IRUSH	-	-	-	A		
BLU on/off Level	BLU on	3.0		3.6	V		
	BLU off	0		0.5	V		
PWMIN	Level	High Level	3.0		3.6	V	
		Low Level	0		0.5	V	
	Frequency	F <sub>PWM</sub>	200	-	20K	Hz	
	Duty Ratio	D <sub>PWM</sub>	1	-	100	%	
PWMOUT	Level	High Level	1.2		3.6	V	
		Low Level	0		0.5	V	
	Frequency	F <sub>PWM</sub>	200	-	20K	Hz	
	Duty Ratio	D <sub>PWM</sub>	3	-	100	%	
LED Quantity	QLED	-	32	-	EA		
LED Life Time	TLED	30000	-	-	Hrs	Note 2	

**Notes:**

1. PLED = VLED ×ILED (Without LED converter transfer efficiency)
2. The life time of LED, 30,000Hrs, is determined as the time at which luminance of the LED is 50% compared to that of initial value at the typical LED current on condition of continuous operating at 25 ± 2°C.



### 3.3 INPUT TERMINAL PIN ASSIGNMENT

This LCD employs two interface connections, a 20 pin ZIF connector is used for the LCD module electronics interface and a 9 pin ZIF connector is used for the internal backlight system.

#### 3.3.1 Pin assignment for LCD module

Connector : DF19G-20P-1H (56) or equivalent

< Table7. Pin Assignment for LCD Module Connector >

Pin No.	Symbol	Description	Remark
1	VCC	Power supply	
2	VCC	Power supply	
3	N.C.	Not connect	
4	GND	Ground	
5	D0-	Pixel data	
6	D0+	Pixel data	
7	GND	Ground	
8	D1-	Pixel data	
9	D1+	Pixel data	
10	GND	Ground	
11	D2-	Pixel data	
12	D2+	Pixel data	
13	GND	Ground	
14	CLK-	CLK data	
15	CLK+	CLK data	
16	GND	Ground	
17	SDA	Not connect	NC
18	SCL	Not connect	NC
19	D3-	Pixel data	
20	D3+	Pixel data	

<b>PRODUCT GROUP</b>		<b>REV</b>	<b>ISSUE DATE</b>	<b>BOE</b>
TFT- LCD PRODUCT		P0	2018-03-03	
<b>SPEC. NUMBER</b>	<b>SPEC. TITLE</b>			<b>PAGE</b>
S8-*	B3 EV101WXM-N80 Product Specification			10 OF 29

**3.4.2 Pin assignment for LED Bar**

Connector : PF040-B09B-C09 (STM) or equivalent

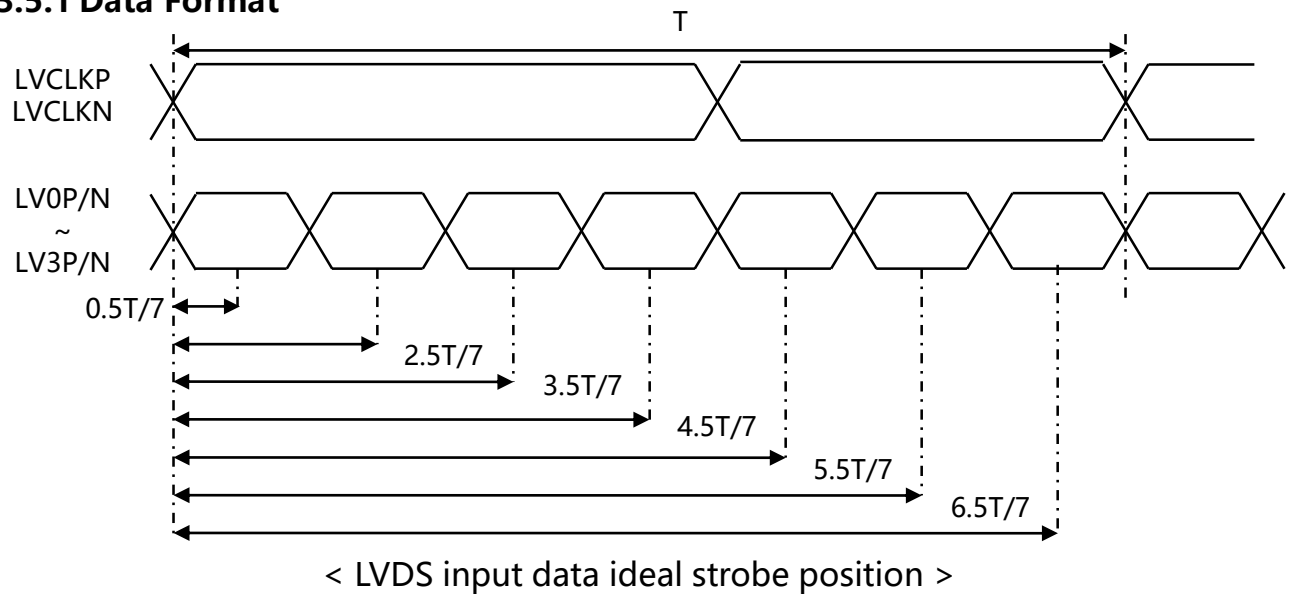
< Table8. Pin assignment for LED Bar >

Pin No	Symbol	Description	Remarks
1	PWM	Luminance control	
2	BRTC	Backlight ON/OFF control	High or Open : Backlight ON Low : Backlight OFF
3	GND	Ground	
4	GND	Ground	
5	VDD	Power supply	
6	VDD	Power supply	

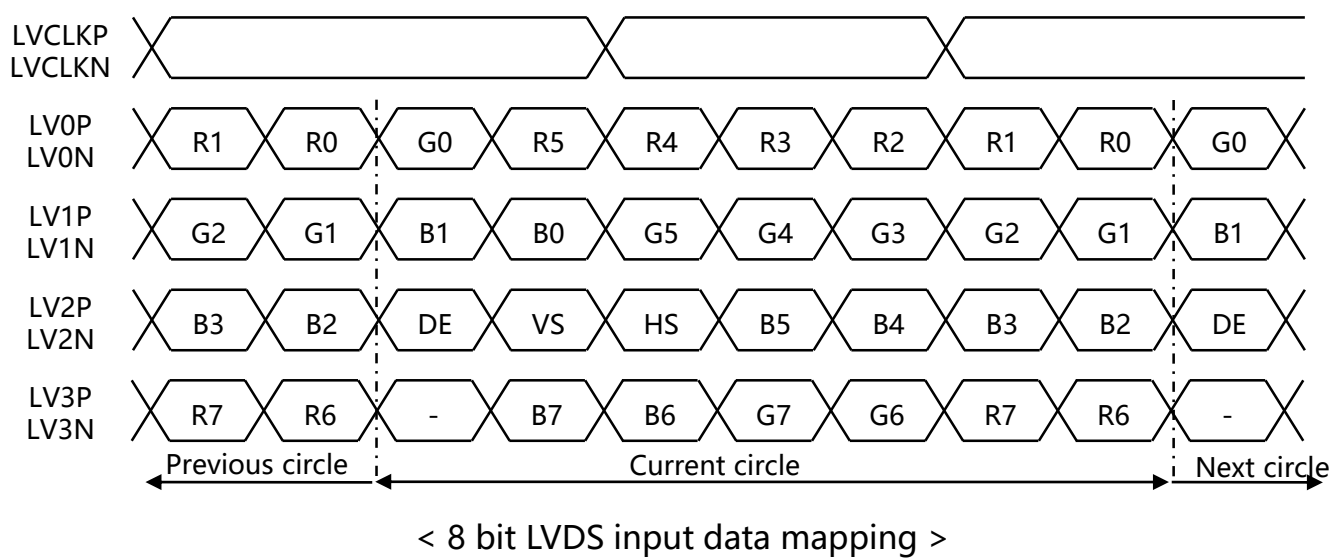
<b>PRODUCT GROUP</b>		<b>REV</b>	<b>ISSUE DATE</b>	<b>BOE</b>
TFT- LCD PRODUCT		P0	2018-03-03	
<b>SPEC. NUMBER</b>	<b>SPEC. TITLE</b>			<b>PAGE</b>
S8-*	B3 EV101WXM-N80 Product Specification			11 OF 29

### 3.5 LVDS Interface Characteristic

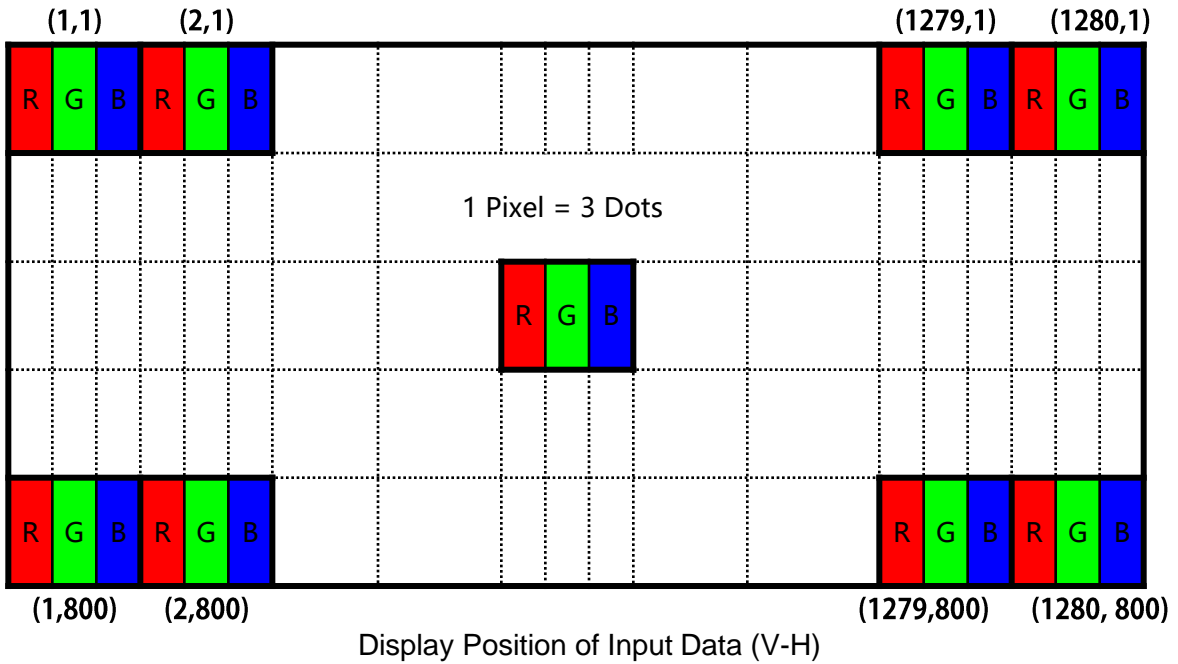
#### 3.5.1 Data Format



#### 3.5.2 LVDS input data mapping



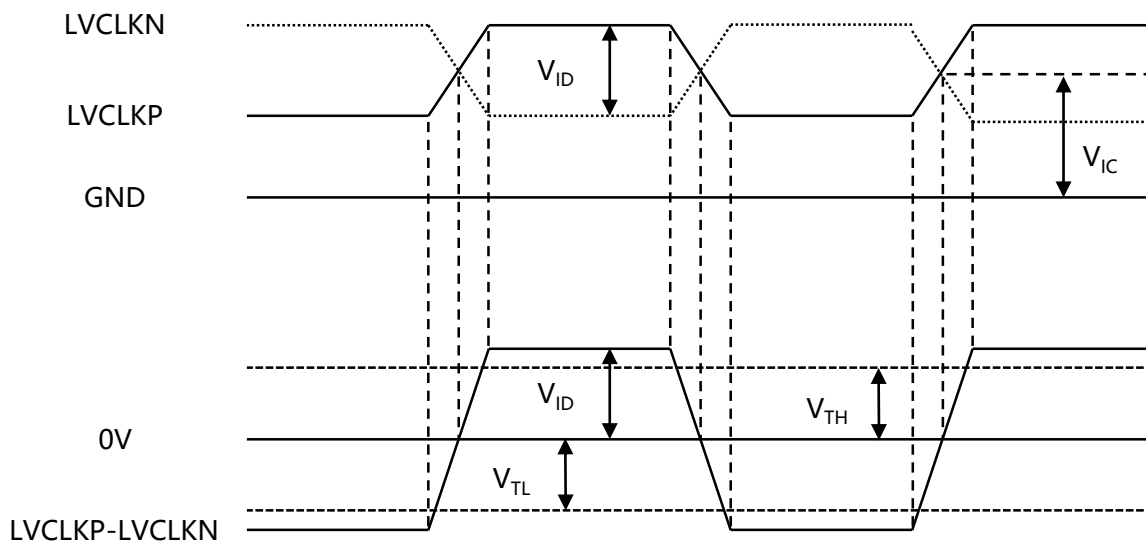
### 3.5.3 Pixel Format



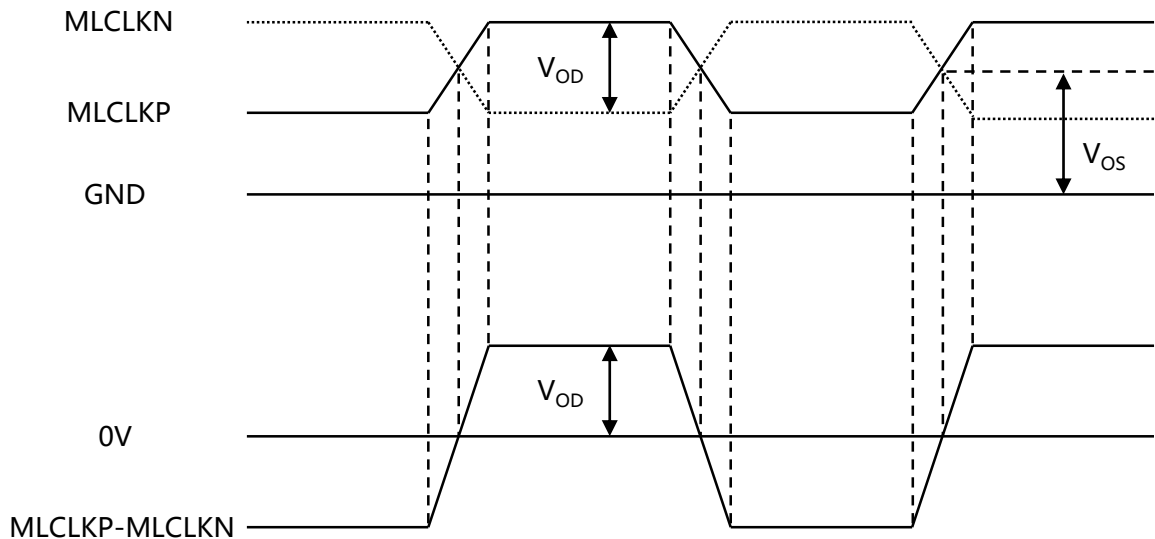
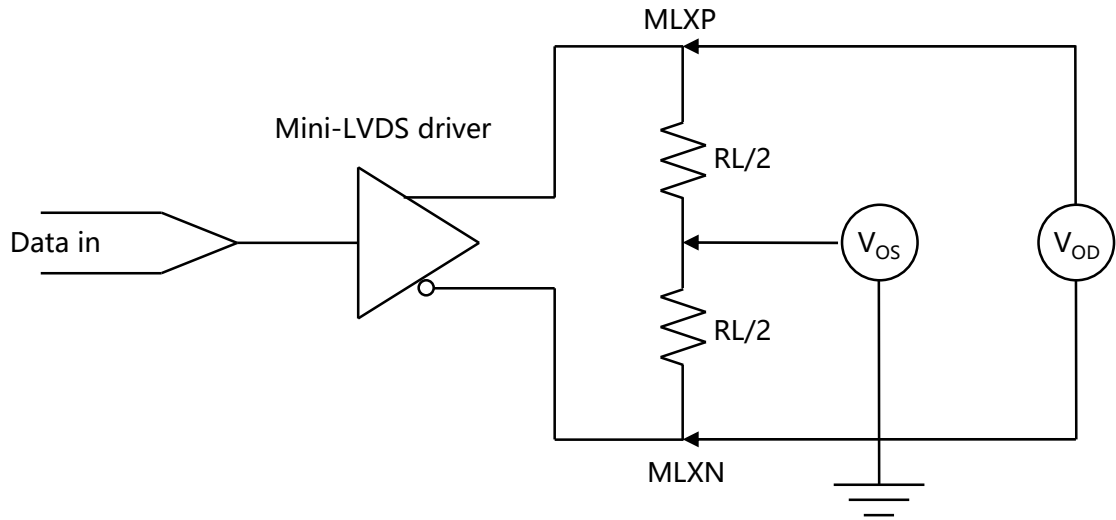
### 3.5.2 DC Specification

< Table11. DC Specification >

Parameter	Symbol	Min	Typ	Max	Unit	Condition
Supply current	$I_{DD}$	-	100	-	mA	
<b>LVDS DC specifications</b>						
Differential input high threshold	$V_{TH}$	-	-	+100	mV	$V_{IC}=1.2V$
Differential input low threshold	$V_{TL}$	-100	-	-	mV	
LVDS common mode voltage	$V_{IC}$	0.7	-	1.6	V	
LVDS swing voltage	$V_{ID}$	$\pm 100$	-	$\pm 600$	mV	
<b>Mini-LVDS DC specifications</b>						
Output differential voltage range	$V_{OD}$	$\pm 170$	$\pm 200$	$\pm 230$	mV	PI=14K $\Omega$ RL=100 $\Omega$ ( $T_A=25^\circ C$ )
Output differential voltage deviation		0.64	-	0.96	mV	
Output offset voltage range	$V_{OS}$	1.0	1.2	1.4	V	
Output offset voltage deviation		1	-	1.4	V	

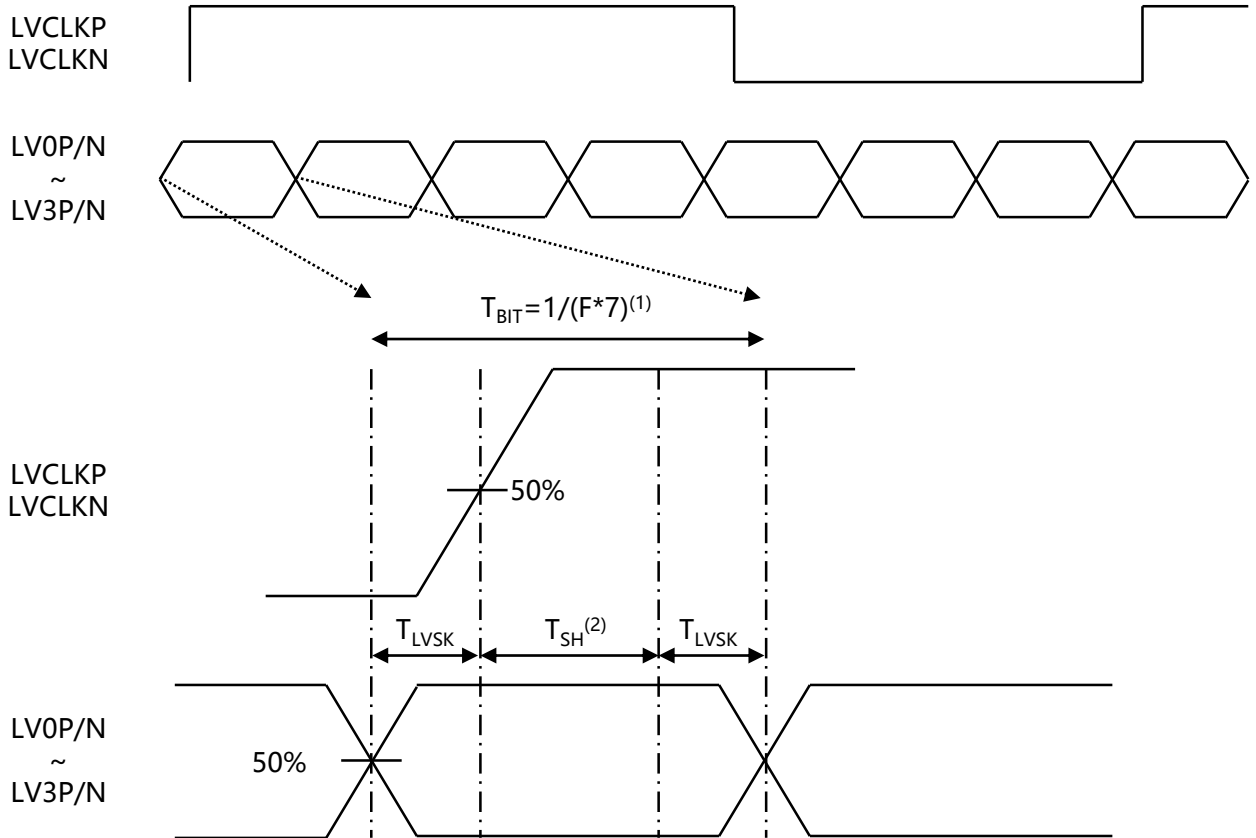


< LVDS  $V_{ID}$  and  $V_{IC}$  definition >



< Mini-LVDS  $V_{OD}$  and  $V_{OS}$  definition >

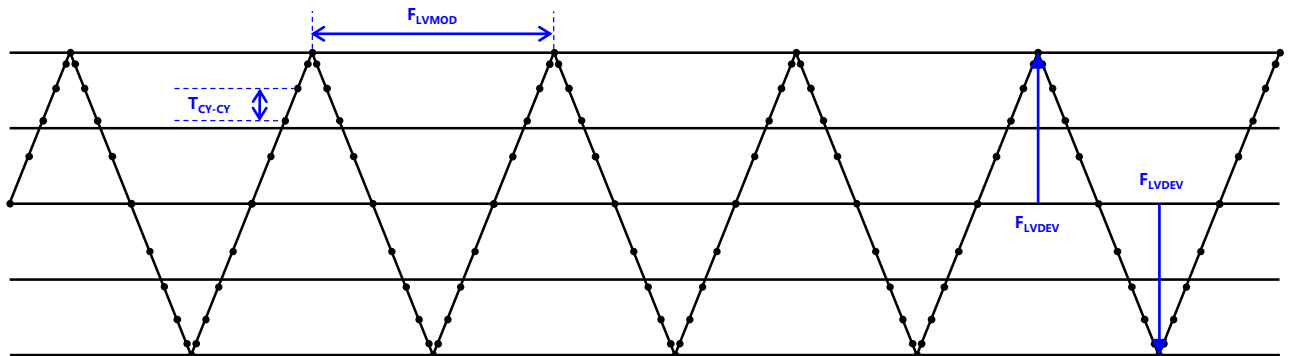
**3.5.3 AC Specification**



**Note:**

- (1)  $T_{BIT}$ : Data period
- (2) Internal CLK sampling data window

< LVDS channel to channel skew >



< LVDS input SSC >

**< Table12. AC Specification >**

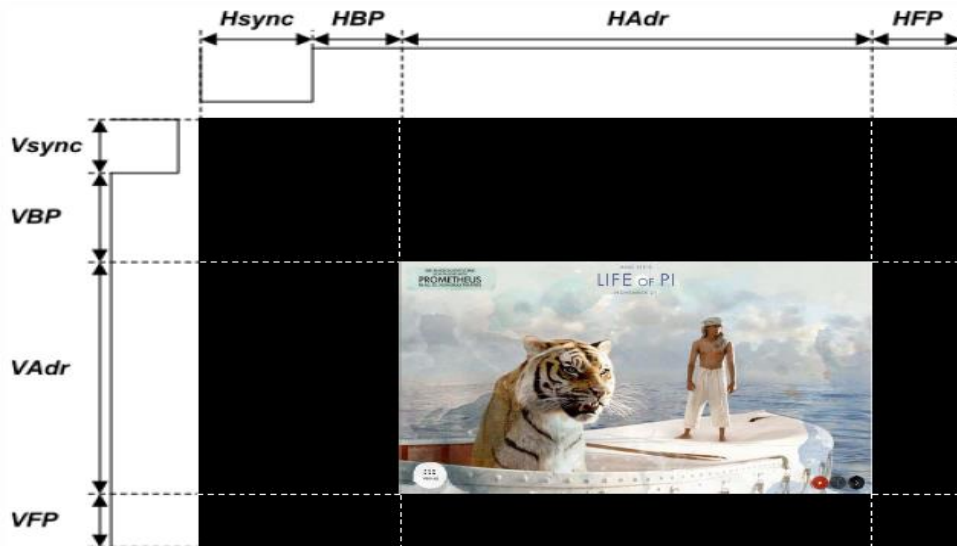
Description	Symbol	Condition	Min	Typ	Max	Unit
LVDS Input frequency	F	-	25	-	100	MHz
LVDS channel to channel skew	$T_{LVSK}$	F=65MHz $V_{IC}=1.2V$ $V_{ID}=\pm 200mV$	-600	-	+600	ps
Modulating frequency of input clock during SSC	$F_{LVMOD}$	F=85MHz $V_{IC}=1.2V$ $V_{ID}=\pm 200mV$	10	-	300	KHz
Maximum deviation of input clock frequency during SSC	$F_{LVDEV}$		-3	-	+3	%
Cycle to cycle jitter	$T_{CY-CY}$		-	-	200	ps



### 3.6 Interface timing Parameter

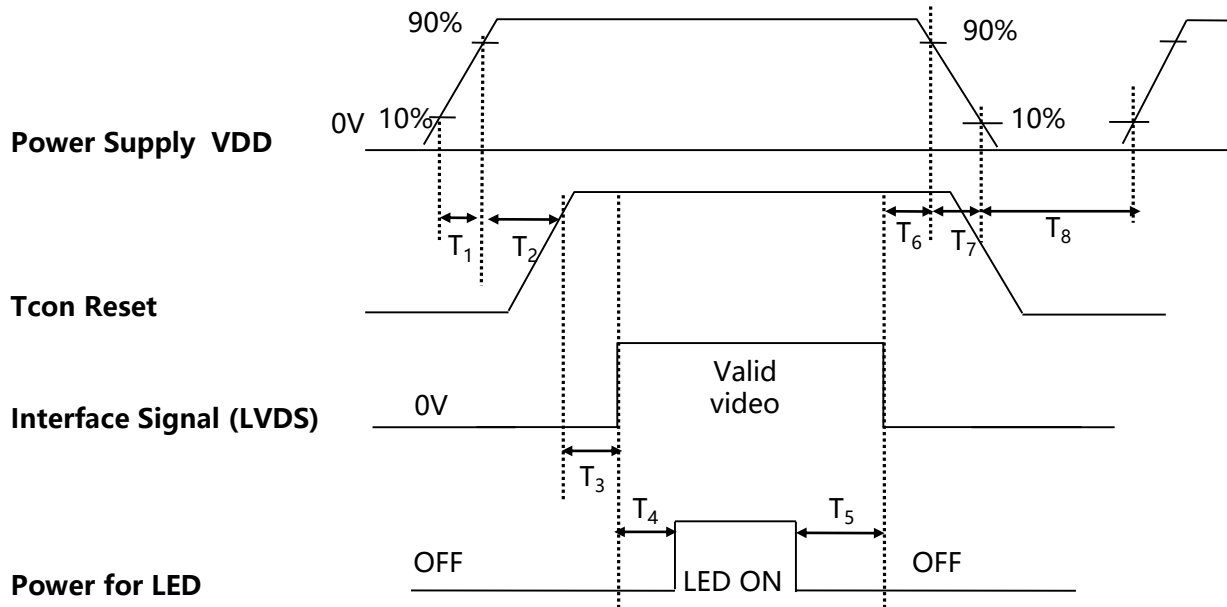
< Table13. Timing Parameter >

Item		Symbol	min	typ	max	UNIT	
LCD	Frame Rate	-	-	60	-	Hz	
	Pixels Rate	-	70.645	71	71.355	MHz	
Timing	Horizontal	Horizontal total time	tHP	-	1440	-	t <sub>CLK</sub>
		Horizontal Active time	tHadr	1280			t <sub>CLK</sub>
		Horizontal Back Porch	tHBP		80		t <sub>CLK</sub>
		Horizontal Front Porch	tHFP		48		t <sub>CLK</sub>
	Vertical	Vertical total time	tvp		823		t <sub>H</sub>
		Vertical Active time	tVadr	800			t <sub>H</sub>
		Vertical Back Porch	tVBP		14		t <sub>H</sub>
		Vertical Front Porch	tVFP		3		t <sub>H</sub>
Lane			-	1	-	Lane	



### 3.8 Power Sequence

[Ta =25±2 °C]



< Table15. Sequence Table >

Parameter	Value			Units
	Min.	Typ.	Max.	
T1	0.1	-	8	(ms)
T2	-	8	-	(ms)
T3	0	-	-	(ms)
T4	300	-	-	(ms)
T5	300	-	-	(ms)
T6	0	-	50	(ms)
T7	0	-	10	(ms)
T8	500	-	-	(ms)

## 4.0 OPTICAL SPECIFICATION

### 4.1 Overview

The test of Optical specifications shall be measured in a dark room (ambient luminance  $\leq 1$ lux and temperature =  $25 \pm 2^\circ\text{C}$ ) with the equipment of Luminance meter system (Goniometer system and TOPCON BM-5) and test unit shall be located at an approximate distance 50cm from the LCD surface at a viewing angle of  $\theta$  and  $\Phi$  equal to  $0^\circ$ . The center of the measuring spot on the Display surface shall stay fixed.

The backlight should be operating for 30 minutes prior to measurement.

### 4.2 Optical Specifications

<Table 4. Optical Specifications >

Parameter	Symbol	Condition	Min.	Typ.	Max.	Unit	Remark	
Viewing Angle Range	Horizontal	CR> 10	$\Theta 3$	80	85	-	Deg.	Note1
			$\Theta 9$	80	85	-	Deg.	
	Vertical		$\Theta 12$	80	85	-	Deg.	
			$\Theta 6$	80	85	-	Deg.	
Contrast ratio	CR	$\Theta = 0^\circ$	700	900	-		Note2	
Transmittance	Tr		4.6	5.4	-	%	Note3	
Luminance of White	Yw		340	400		cd/m2	Note 4	
White luminance uniformity	$\Delta Y$		65	75		%	Note 5	
Color Gamut	CG		43	48	-	%		
Reproduction of color	Red	$\Theta = 0^\circ$	Rx	0.566	0.596	0.626		Note6 (Based on BLU)
			Ry	0.323	0.353	0.383		
	Green		Gx	0.305	0.335	0.365		
			Gy	0.529	0.559	0.589		

<b>PRODUCT GROUP</b>	REV	ISSUE DATE	<b>BOE</b>
TFT- LCD PRODUCT	P0	2018-03-03	

SPEC. NUMBER	SPEC. TITLE	PAGE
S8-*	B3 EV101WXM-N80 Product Specification	20 OF 29

Parameter	Symbol	Condition	Min.	Typ.	Max.	Unit	Remark
	Blue	Bx	0.123	0.153	0.183		
		By	0.086	0.116	0.146		
White Chromaticity	Wx	$\Theta = 0^\circ$	0.283	0.313	0.343		
	Wy		0.299	0.329	0.359		
Response Time (Rising + Falling)	$T_r + T_f$	Ta= 25° C $\Theta = 0^\circ$				ms	Note 7

**Note:**

- Viewing angle is the angle at which the contrast ratio is greater than 10. The viewing angles are determined for the horizontal or 3, 9 o' clock direction and the vertical or 6, 12 o' clock direction with respect to the optical axis which is normal to the LCD surface (see FIGURE 1).
- Contrast measurements shall be made at viewing angle of  $\Theta = 0$  and at the center of the LCD surface. Luminance shall be measured with all pixels in the view field set first to white, then to the dark (black) state . (see FIGUR 1)  
Luminance Contrast Ratio (CR) is defined mathematically.  

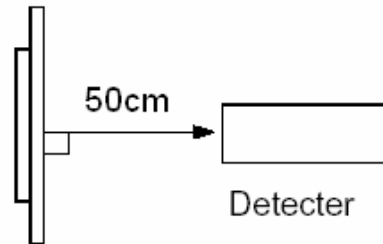
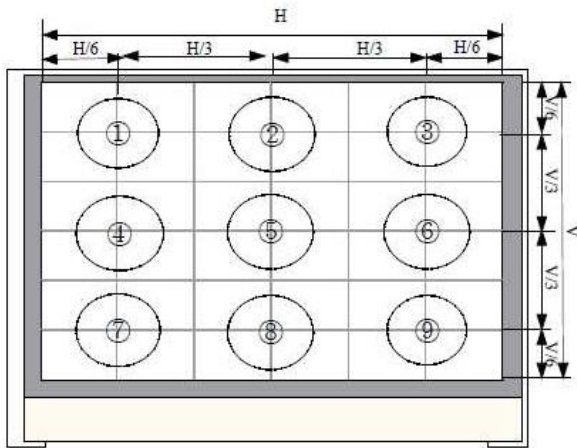
$$CR = \frac{\text{Luminance when displaying a white raster}}{\text{Luminance when displaying a black raster}}$$
- Transmittance is the Value without APF and without CG.
- Center Luminance of white is defined as the LCD surface. Luminance shall be measured with all pixels in the view field set first to white. This measurement shall be taken at the locations shown in FIGURE 2 for a total of the measurements per display.

5:Luminance measurement

The test condition is at ILED=20mA and measured on the surface of LCD module at 25 °C.

- The data are measured after LEDs are lighted on for more than 5 minutes and LCM displays are fully white. The brightness is the average value of 9 measured spots. Measurement equipment CS2000 or similar equipments(Field of view:1deg,Distance:50cm)
- Measuring surroundings: Dark room.
- Measuring temperature: Ta=25°C.
- Adjust operating voltage to get optimum contrast at the center of the display.
- Measured value at the center point of LCD panel must be after more than 5 minutes while backlight turning on.

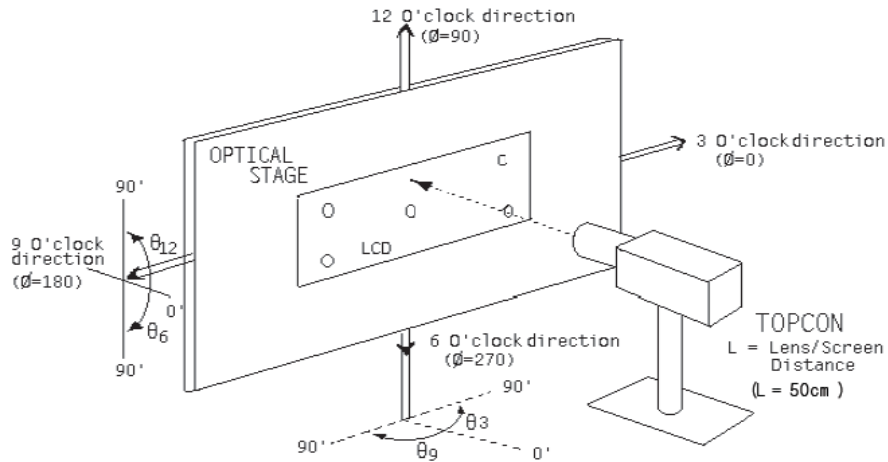
$$\Delta Y = ( \text{Minimum Luminance of 9points} / \text{Maximum Luminance of 9points} ) * 100$$



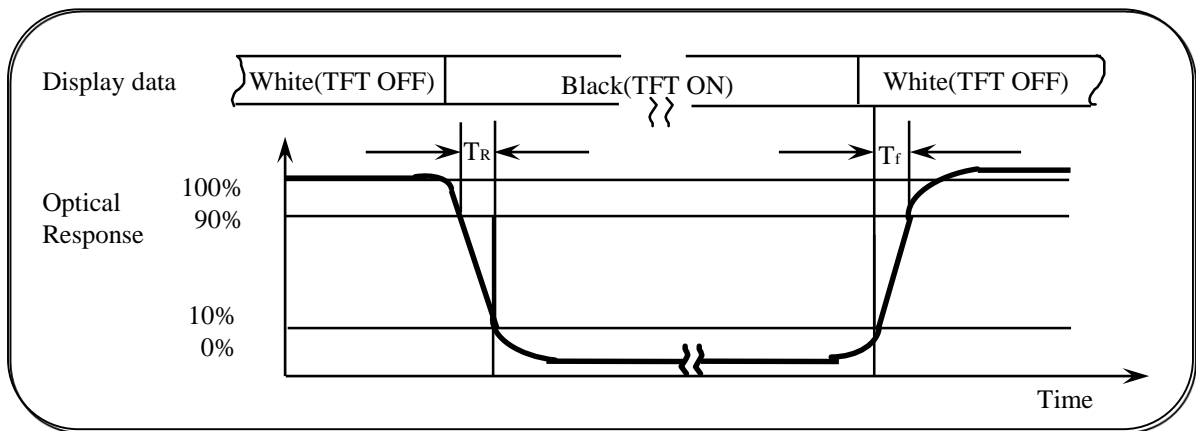
6.The color chromaticity coordinates specified in the above table shall be calculated from the spectral data measured with all pixels first in red, green, blue and white. Measurements shall be made at the center of the panel.

7.The electro-optical response time measurements shall be made as FIGURE 2 by switching the “data” input signal ON and OFF. The times needed for the luminance to change from 10% to 90% is Tr, and 90% to 10% is Tf.

**Figure1 Measurement Set Up**



**Figure2 Response Time Testing**



<b>PRODUCT GROUP</b>		<b>REV</b>	<b>ISSUE DATE</b>	<b>BOE</b>
TFT- LCD PRODUCT		P0	2018-03-03	
<b>SPEC. NUMBER</b>	<b>SPEC. TITLE</b>			<b>PAGE</b>
S8-*	B3 EV101WXM-N80 Product Specification			23 OF 29

**5.0 RELIABILITY TEST**

The Reliability test items and its conditions are shown in below.

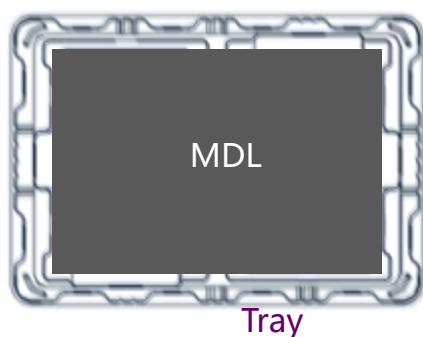
**<Table 17. Reliability Test Parameters >**

<b>No</b>	<b>Test Items</b>	<b>Conditions</b>
1	High temperature storage test	
2	Low temperature storage test	
3	High temperature & high humidity (operation test)	
4	Low temperature operation test	
5	High temperature operation test	
6	Thermal Shock Test	
7		
8		
9		
10		
11		
12		
13		
14		
...		

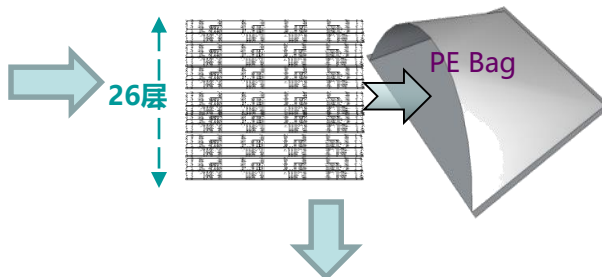
## 6.0 PACKING INFORMATION(产品形态: )

### Packing procedure:

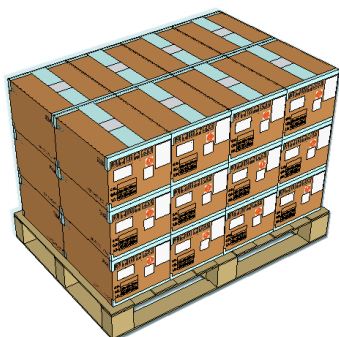
- 将 1pcs MDL 平放入Tray, CF 侧向上放置;



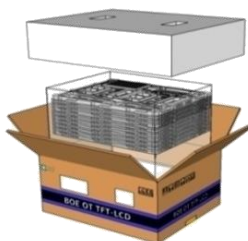
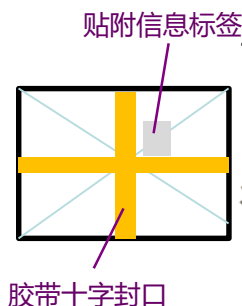
- 将26pcs PET Tray 平放入PE Bag 顶部1pcs 空Tray
- Tray 不旋转码放



- 每个Pallet上放3层Box 1层8箱,共计24ea Box
- Pallet外进行缠膜包装
- 容量: 600pcs/Pallet



- 将风琴袋弯折后用胶带进行十字封口, 用1pcs 信息标签贴附在封口边缘;
- 将PET Tray堆码后平放入Inner Box 上下放置EPE Board
- 容量: 25pcs/Inner Box



### 6.1 Packing Note(产品形态: LCM)

- Box Dimension: 375mm(W) x 280mm(D) x 290mm(H)
- Package Quantity in one Box: 25pcs



**6.2 Box label (产品形态: )**

- Label Size :80mm\*50mm
- Contents
  - Model : LCM
  - Q`ty : 25pcs/Box
  - Serial No. : Box Serial No. as shown below.
  - Date : Packing Date
  - FG Code : FG Code of Product

安全标签 2ea/Box  
 贴附工位: Module Packing  
 物料号: C922-00104  
 用量: 2pcs/Box  
 贴附位置: 纸箱上下胶带中间



月份标签 1ea/Box  
 贴附工位: Module Packing  
 贴附位置: 右边对齐材料标签  
 纸箱ECO印刷标识下面  
 标签料号: C922-00091

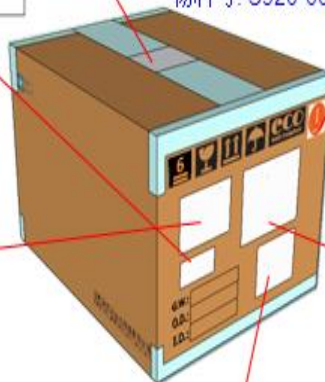


VMI 标签 1ea/Box  
 贴附工位: 库房  
 物料号: C922-00038  
 贴附位置: 信息标签下方对齐



封箱胶带为'H'形封箱  
 尾数箱使用绿色胶带  
 物料号: C920-00024

材料标签 1ea/Box  
 贴附工位: 成品库  
 贴附位置: 纸箱端面右上角  
 标签料号: C922-00102



信息标签 1ea/Box ( Box ID)  
 贴附工位: Module Packing  
 贴附位置: 左上角对其BoxID线程贴附  
 物料号: C922-00081

(P) Customer P/N: 23040385  
 (1P) Manufacturer P/N: BP101WX1-400  
 (Q) QTY: 50  
 (V) Vendor Code: 20002R  
 (1T) Lot No: XXXXXXXXXX (请Box ID)  
 (9D) Date Code: XXXX  
 (M) Manufacturer: BOE  
 (4L) Country of Origin: CHINA

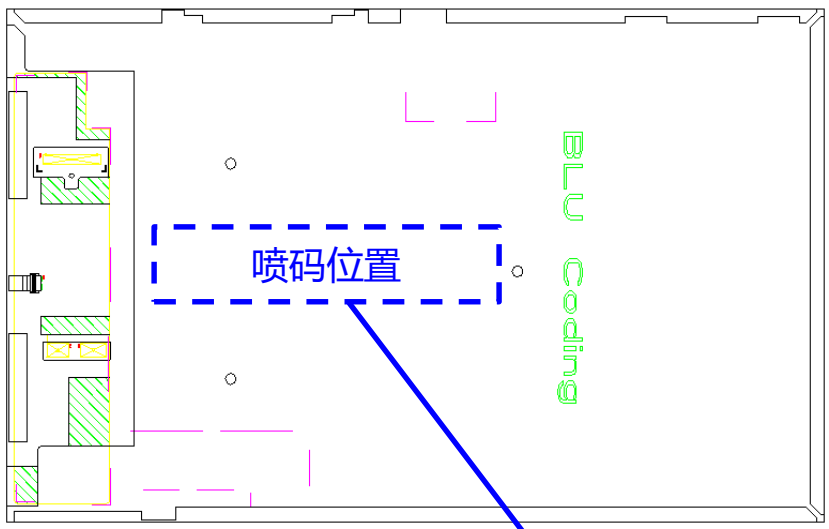
尾数标签 1ea/Box  
 贴附工位: 成品库  
 贴附位置: 右边对齐材料标签  
 月份标签下面  
 标签料号: C922-00081



Carton: LAK11812A78001 101166  
 TER  
 P.O: 810129652-14  
 Item: 03010AQV Rev.A  
 Qty: XXX PCS  
 Model:  
 Desc:  
 09 Code: 09-03010AQV-1K11812A78  
 09VCode:  
 Supp.PN: Date:  
 Supp.Lot: 2911  
 C.O.: CN Law Inspect:  
 Remark:

PRODUCT GROUP				REV	ISSUE DATE	<b>BOE</b>	
TFT- LCD PRODUCT				P0	2018-03-03		
SPEC. NUMBER		SPEC. TITLE				PAGE	
S8-*		B3 EV101WXM-N80 Product Specification				OF 29	

## 7.0 Product Label



- 喷码至背板侧边, 信息分为4部分
- 客户要求喷码信息, 编码规则如下:
  - BOE MDL ID 条形码
  - 产品FG-CODE
  - BOE MDL ID



### 客户要求喷码信息

序列号	1	2	3	4	5	6	7	8	9	10	11	12	13	14	15	16	17	18	19		
代码	3	H	E	L	B	C	H	E	T	1	5	0	4	1	5	A	0	0	0	0	1
描述	客户料号 后四位				供应商 代码	产地	产品阶段 ET/ DT PT/ MP	年	月	日	白班 A 夜班 B	流水码: 00001~ZZZZZ									

### BOE MDL ID 编码规则

序列号	1	2	3	4	5	6	7	8	9	10	11	12	13	14	15	16	17
代码	4	F	P	3	1	2	7	3	9	P	0	0	0	1	E	E	J
描述	GBN代 码	等级	B 3	年份	月	FG Code后四位						序列号					

<b>PRODUCT GROUP</b>		<b>REV</b>	<b>ISSUE DATE</b>	<b>BOE</b>
TFT- LCD PRODUCT		P0	2018-03-03	
<b>SPEC. NUMBER</b>	<b>SPEC. TITLE</b>			<b>PAGE</b>
S8-*	B3 EV101WXM-N80 Product Specification			27 OF 29

## 8.0 Handling & Cautions

### 8.1 Mounting Method

- The panel of the LCD consists of two thin glasses with polarizers which easily get damaged. So extreme care should be taken when handling the LCD.
- Excessive stress or pressure on the glass of the LCD should be avoided. Care must be taken to insure that no torsional or compressive forces are applied to the LCD unit when it is mounted.
- If the customer's set presses the main parts of the LCD, the LCD may show the abnormal display. But this phenomenon does not mean the malfunction of the LCD and should be pressed by the way of mutual agreement.
- To determine the optimum mounting angle, refer to the viewing angle range in the specification for each model.
- Mount a LCD module with the specified mounting parts.

### 8.2 Caution of LCD Handling and Cleaning

- Since the LCD is made of glass, do not apply strong mechanical impact or static load onto it. Handling with care since shock, vibration, and careless handling may seriously affect the product. If it falls from a high place or receives a strong shock, the glass may be broken.
- The polarizers on the surface of panel are made from organic substances. Be very careful for chemicals not to touch the polarizers or it leads the polarizers to be deteriorated.
- If the use of a chemical is unavoidable, use soft cloth with solvent (recommended below) to clean the LCD 's surface with wipe lightly.  
-IPA(Isopropyl Alcohol), Ethyl Alcohol, Trichlorotrifluoroethane
- Do not wipe the LCD's surface with dry or hard materials that will damage the polarizers and others. Do not use the following solvent.  
-Water, Ketone, Aromatics
- It is recommended that the LCD be handled with soft gloves during assembly, etc. The polarizers on the LCD's surface are vulnerable to scratch and thus to be damaged by sharp particles.
- Do not drop water or any chemicals onto the LCD's surface.
- A protective film is supplied on the LCD and should be left in place until the LCD is required for operation.
- The ITO pad area needs special careful caution because it could be easily corroded. Do not contact the ITO pad area with HCFC, Soldering flux, Chlorine, Sulfur, saliva or fingerprint. To prevent the ITO corrosion, customers are recommended that the ITO area would be covered by UV or silicon.

PRODUCT GROUP		REV	ISSUE DATE	<b>BOE</b>
TFT- LCD PRODUCT		P0	2018-03-03	
SPEC. NUMBER	SPEC. TITLE			PAGE
S8-*	B3 EV101WXM-N80 Product Specification			28 OF 29

### 8.3 Caution Against Static Charge

- The LCD modules use C-MOS LSI drivers, so customers are recommended that any unused input terminal would be connected to Vdd or Vss, do not input any signals before power is turn on, and ground you body, work/assembly area, assembly equipments to protect against static electricity.
- Remove the protective film slowly, keeping the removing direction approximate 30-degree not vertical from panel surface, If possible, under ESD control device like ion blower, and the humidity of working room should be kept over 50%RH to reduce the risk of static charge.
- Avoid the use work clothing made of synthetic fibers. We recommend cotton clothing or other conductivity-treated fibers.
- In handling the LCD, wear non-charged material gloves. And the conducting wrist to the earth and the conducting shoes to the earth are necessary.

### 8.4 Caution For operation

- It is indispensable to drive the LCD within the specified voltage limit since the higher Voltage than the limit causes the shorter LCD's life. An electro-chemical reaction due to DC causes undesirable deterioration of the LCD so that the use of DC drive should avoid.
- Do not connect or disconnect the LCD to or from the system when power is on.
- Never use the LCD under abnormal conditions of high temperature and high humidity.
- When expose to drastic fluctuation of temperature (hot to cold or cold to hot) ,the LCD may be affected; Specifically, drastic temperature fluctuation from cold to hot ,produces dew on the LCD's surface which may affect the operation of the polarizer and the LCD.
- Response time will be extremely delayed at lower temperature than the operating temperature range and on the other hand at higher temperature LCD may turn black at temperature above its operational range. However those phenomena do not mean malfunction or out of order with the LCD. The LCD will revert to normal operation once the temperature returns to the recommended temperature range for normal operation.
- Do not display the fixed pattern for a long time because it may develop image sticking due to the LCD structure. If the screen is displayed with fixed pattern, use a screen saver.

<b>PRODUCT GROUP</b>		<b>REV</b>	<b>ISSUE DATE</b>	<b>BOE</b>
TFT- LCD PRODUCT		P0	2018-03-03	
<b>SPEC. NUMBER</b>	<b>SPEC. TITLE</b>			<b>PAGE</b>
S8-*	B3 EV101WXM-N80 Product Specification			29 OF 29

### 8.5 Packaging

- Modules use LCD element, and must be treated as such.
  - Avoid intense shock and falls from a height.
  - To prevent modules from degradation, do not operate or store them exposed directly to sunshine or high temperature/humidity for long periods.

### 8.6 Storage

- A slight dew depositing on terminals is a cause for electro-chemical reaction resulting in terminal open circuit. Relative humidity of the environment should therefore be kept below 60%RH.
- Original protective film should be used on LCD' s surface (polarizer). Adhesive type protective film should be avoided, because it may change color and/or properties of the polarizers.
- Do not store the LCD near organic solvents or corrosive gasses.
- Keep the LCD safe from vibration, shock and pressure.
- Black or white air-bubbles may be produced if the LCD is stored for long time in the lower temperature or mechanical shocks are applied onto the LCD.
- In the case of storing for a long period of time for the purpose or replacement use, the following ways are recommended.
  - Store in a polyethylene bag with sealed so as not to enter fresh air outside in it.
  - Store in a dark place where neither exposure to direct sunlight nor light is.
  - Keep temperature in the specified storage temperature range.
  - Store with no touch on polarizer surface by the anything else. If possible, store the LCD in the packaging situation LCD when it was delivered.

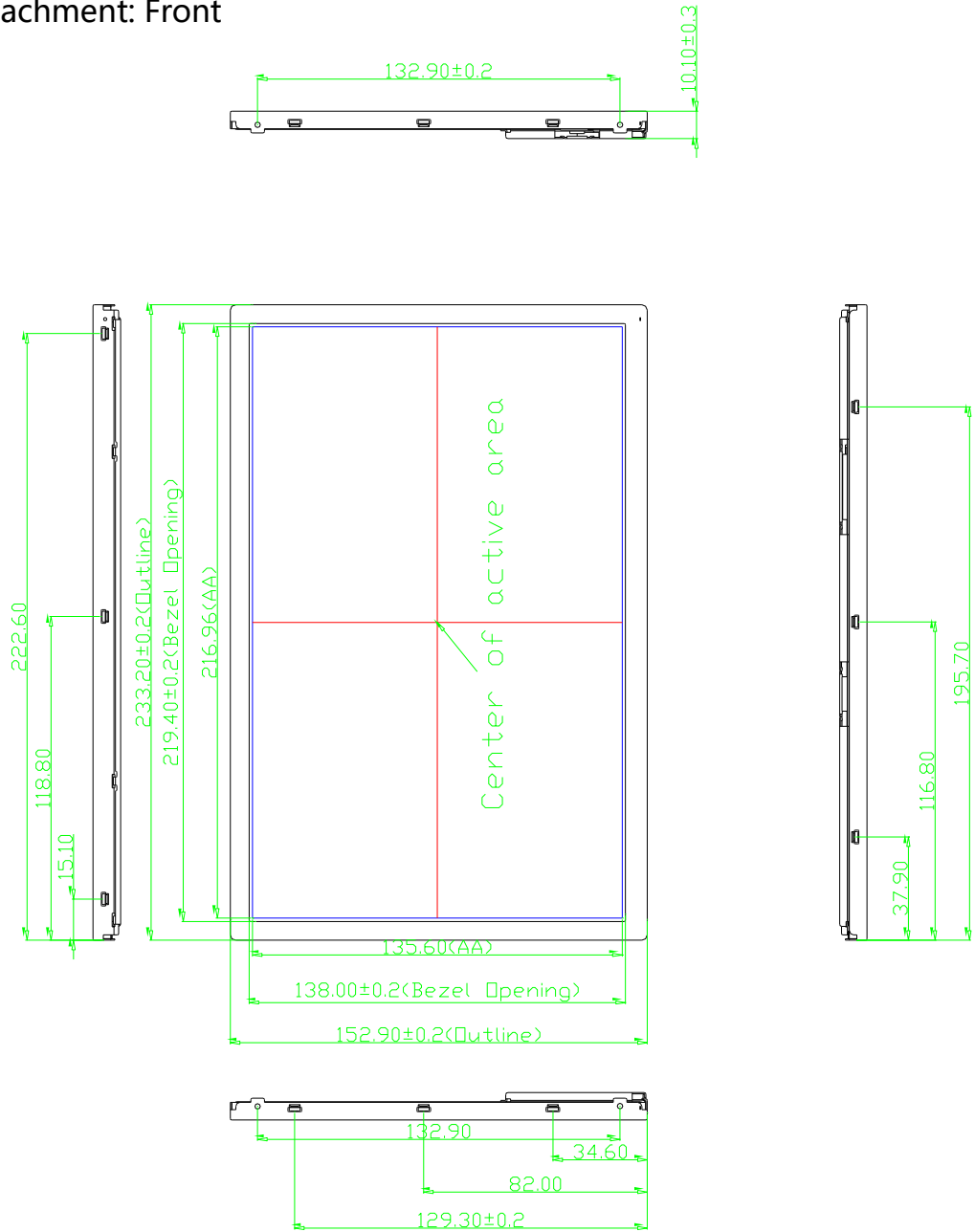
### 8.7 Safety

- For the crash damaged or unnecessary LCD, it is recommended to wash off liquid crystal by either of solvents such as acetone and ethanol an should be burned up later.
- In the case the LCD is broken, watch out whether liquid crystal leaks out or not. If your hands touch the liquid crystal, wash your hands cleanly with water an soap as soon as possible.
- If you should swallow the liquid crystal, first, wash your mouth thoroughly with water, then drink a lot of water and induce vomiting, and then, consult a physician.
- If the liquid crystal should get in your eyes, flush your eyes with running water for at least fifteen minutes.
- If the liquid crystal touches your skin or clothes, remove it and wash the affected part of your skin or clothes with soap and running water.

**9.0 APPENDIX**

**Mechanical Drawing**

Drawing Attachment: Front



PRODUCT GROUP

REV

ISSUE DATE

**BOE**

TFT- LCD PRODUCT

P0

2018-03-03

SPEC. NUMBER

SPEC. TITLE

PAGE

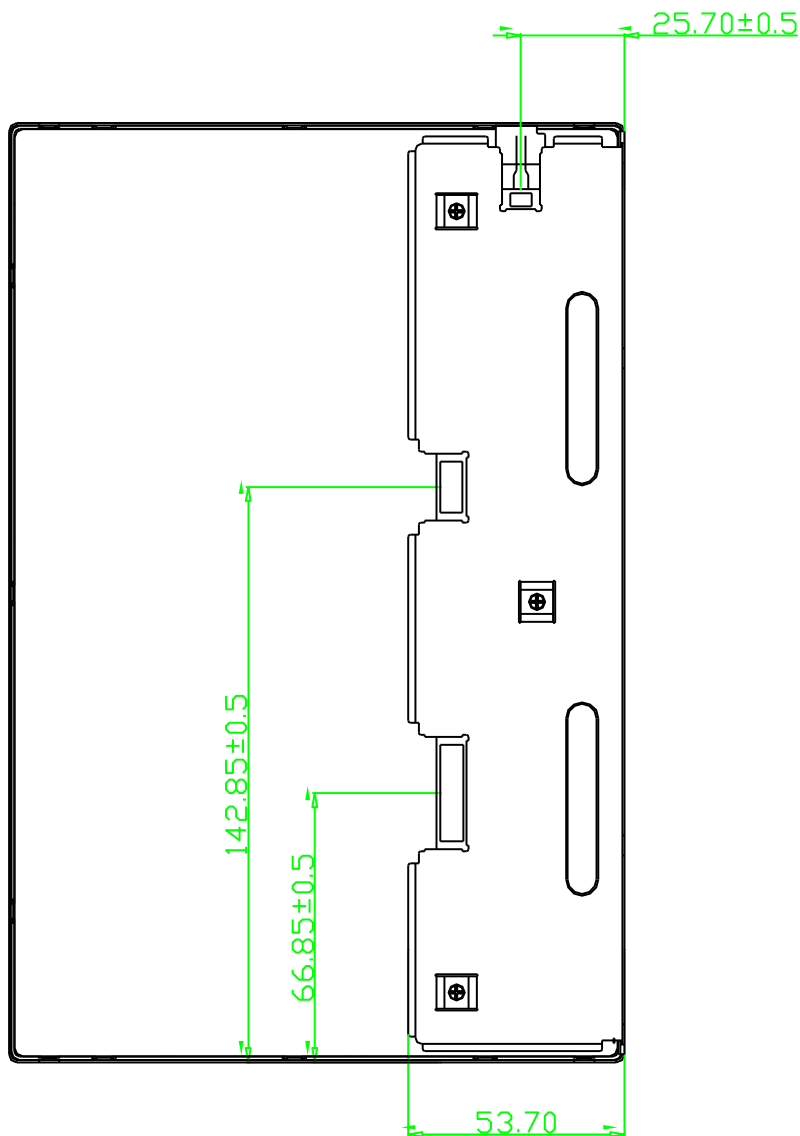
S8-\*

B3 EV101WXM-N80 Product Specification

31 OF 29

**Mechanical Drawing**

Drawing Attachment: Back



PRODUCT GROUP		REV	ISSUE DATE	<b>BOE</b>
TFT- LCD PRODUCT		P0	2018-03-03	
SPEC. NUMBER	SPEC. TITLE			PAGE
S8-*	B3 EV101WXM-N80 Product Specification			32 OF 29

**说明:**

产品规格书的字体统一采用微软雅黑，第一级标题字号为14，第二级字号为12，正文部分字号为12；注释或图示中的文字尽量统一为10号,根据版面可以适当调整字号,但字体务必保持统一为微软雅黑.

(实际产品规格书上报之前请将本页删除)